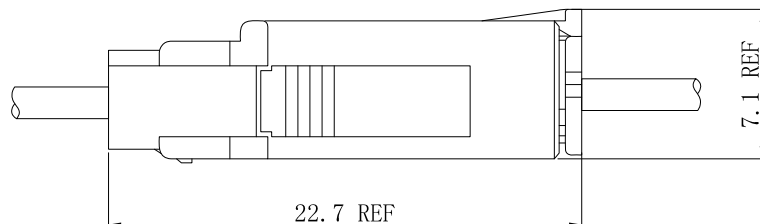
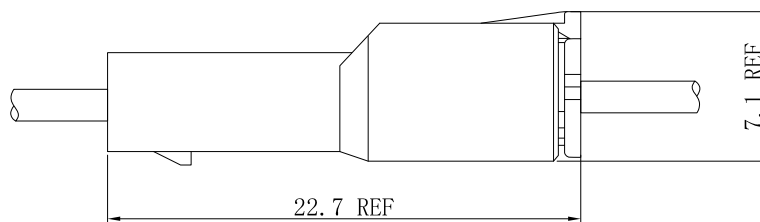


Specifications

- Voltage rating: 250V AC, DC
- Current Rating: 3A, AC, DC
- Withstand voltage: 1500V AC/minute
- Contact resistance: 20mΩ max
- Insulation resistance: 500MΩ min
- Temperature range: -40°C ~ +105°C
- *Suitable JVT2508T series Terminal
JVT2508H series Housing
- Compliant with RoHS and REACH
Contact JVT for details



JVT2508H

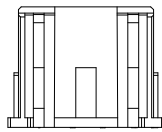
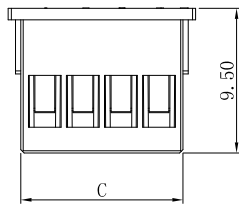
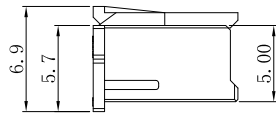
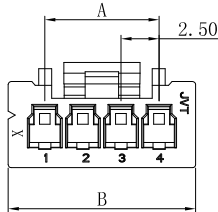
2.5mm Pitch housing

HOUSING

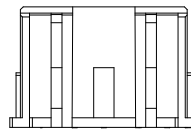
Part No.: JVT2508HNO-XXL

Material: PA66 UL94V-0

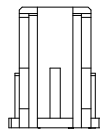
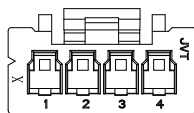
Mates With Part(s): JVT2508 Terminal



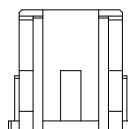
04P



05~15P



02P



03P

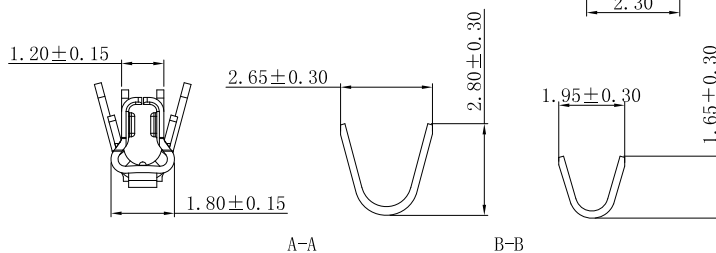
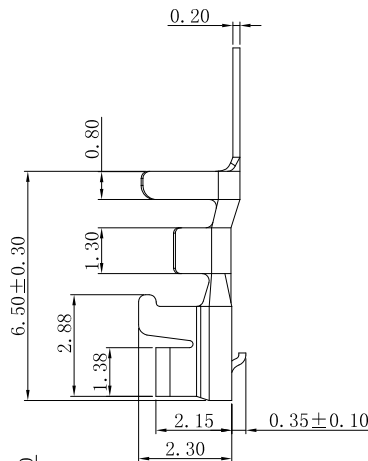
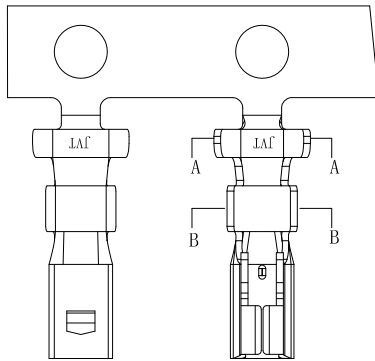
JVT2508HNO-XXL

Logo
Series NO.
Housing
NO-PA66
Lock
Pin NO.

Poles	DIM			Poles	DIM		
	A	B	C		A	B	C
02	2.50	7.3	5.64	09	20.00	24.8	23.14
03	5.00	9.7	8.14	10	22.50	27.3	25.64
04	7.50	12.3	10.64	11	25.00	29.8	28.14
05	10.00	14.7	13.14	12	27.50	32.3	30.64
06	12.50	17.3	15.64	13	30.00	34.7	33.14
07	15.00	19.8	18.14	14	32.50	37.3	35.64
08	17.50	22.3	20.64	15	35.00	39.8	38.14

JVT2508T

2.5mm Pitch Crimp Terminal



JVT2508TP-XXS

Logo
Series NO.
T-Terminal
P-phosphor
bronze
S-Stamping
before Plating
E-Plating
before stamping
SN-Tin Plated
GA-All gold plating

JVT2508TP-GAS	Phos Bronze	All gold plating	AWG#20~28	1.90mm(Max)	JVT2508 HOUSING
JVT2508TP-SNS		Tin Plated			
PART NO	Material	Finish(Pin)	Wire Range	Insulation O.D.	Mates With Part(s)

JVT2508H

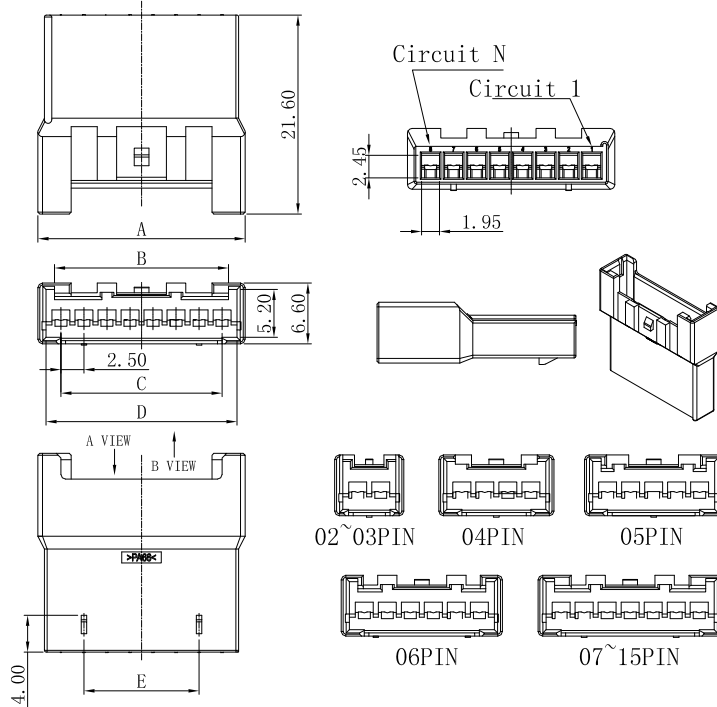
2.5mm Pitch housing

HOUSING

Part No.: JVT2508HNO-XXWL

Material: PA66 UL94V-0

Mates With Part(s): JVT2508 Terminal

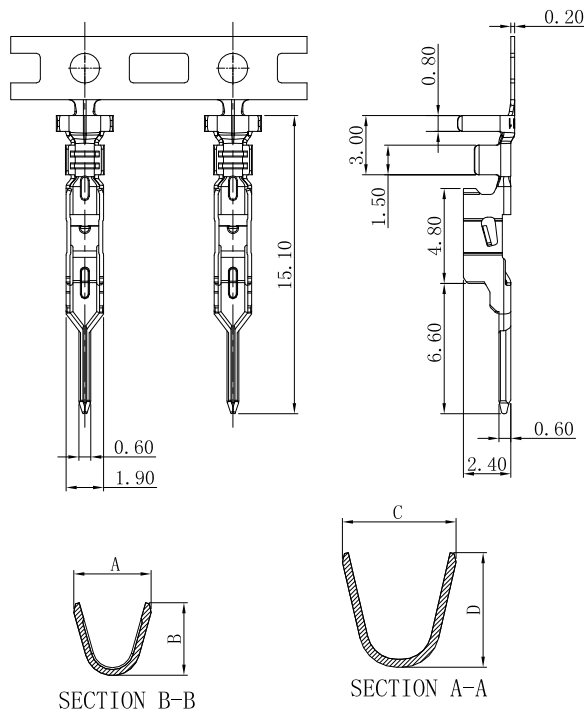


JVT2508HNO-XXWL
 Logo
 Series NO.
 Housing
 PA66 UL94V-0
 L-With wings
 W-Female HSG
 Pin NO.

Circuits	Dimensions (mm)				
	A	B	C	D	E
02	7.5	4.10	2.5	5.75	---
03	10.0	5.70	5.0	8.25	---
04	12.5	8.90	7.5	10.75	---
05	15.0	11.40	10.0	13.25	---
06	17.5	13.90	12.5	15.75	10.00
07	20.0	16.40	15.0	18.25	10.00
08	22.5	18.90	17.5	20.75	12.50
09	25.0	21.40	20.0	23.25	15.00
10	27.5	23.90	22.5	25.75	17.50
11	30.0	26.40	25.0	28.25	20.00
12	32.5	28.90	27.5	30.75	22.50
13	35.0	31.40	30.0	33.25	25.00
14	37.5	33.90	32.5	35.75	27.50
15	40.0	36.40	35.0	38.25	30.00

JVT2508T

2.5mm Pitch Crimp Terminal



JVT2508TP-SNSXM
 Logo
 Series NO.
 T-Terminal
 P-Phosphor bronze
 M-Male Terminal
 H-Heiht foot
 Blank
 L-Low foot
 S-Stamping before Plating
 Tin Plated

1.31	1.30	1.77	2.00
1.72	1.60	2.20	2.60
1.96	1.84	2.88	2.90
A	B	C	D

JVT2508TP-SNSXM	Phos Bronze	Tin Plated	AWG#20~28	1.60mm(Max)	JVT2508 HOUSING
PART NO	Material	Finish(Pin)	Wire Range	Insulation O.D.	Mates With Part(s)

JVT2508H

2.5mm Pitch housing

HOUSING

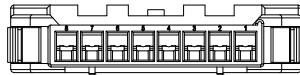
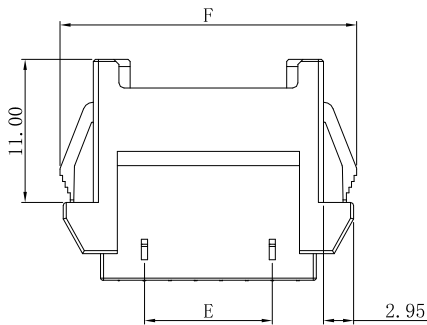
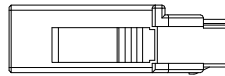
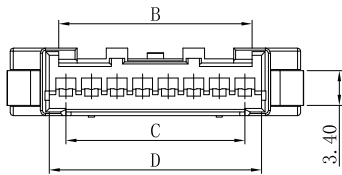
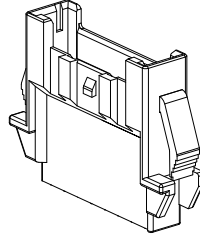
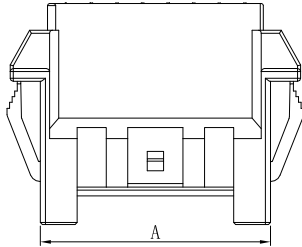
Part No.: JVT2508HNO-XXWL-A

Material: PA66 UL94V-0

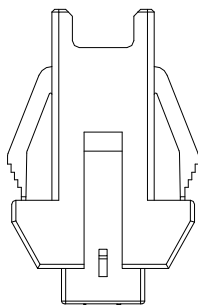
Mates With Part(s): JVT2508 Terminal

JVT2508HNO-XXWL-A

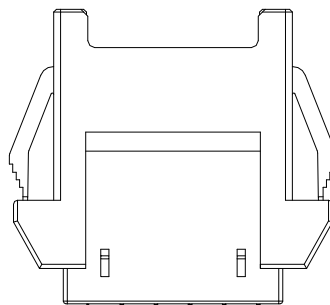
Logo
Series NO.
Housing
PA66 UL94V-0
L-Lock
W-Female HSG
Pin NO.



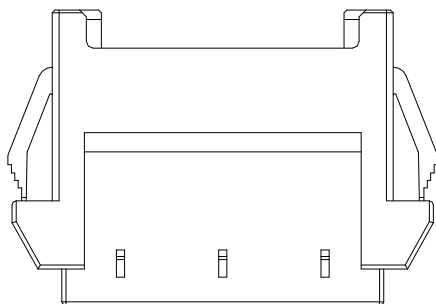
Circuits	Dimensions (mm)					
	A	B	C	D	E	F
02	7.5	4.10	2.5	5.75	---	14.00
03	10.0	5.70	5.0	8.25	---	16.50
04	12.5	8.90	7.5	10.75	---	19.00
05	15.0	11.40	10.0	13.25	---	21.50
06	17.5	13.90	12.5	15.75	10.00	24.00
07	20.0	16.40	15.0	18.25	10.00	26.50
08	22.5	18.90	17.5	20.75	12.50	29.00
09	25.0	21.40	20.0	23.25	15.00	31.50
10	27.5	23.90	22.5	25.75	17.50	34.00
11	30.0	26.40	25.0	28.25	20.00	36.50
12	32.5	28.90	27.5	30.75	22.50	39.00
13	35.0	31.40	30.0	33.25	25.00	41.50
14	37.5	33.90	32.5	35.75	27.50	44.00
15	40.0	36.40	35.0	38.25	30.00	46.50



02~05Pin



06~08Pin



09~15Pin