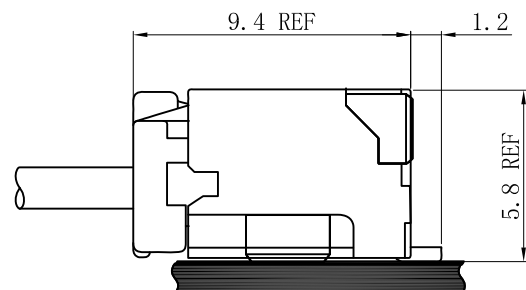
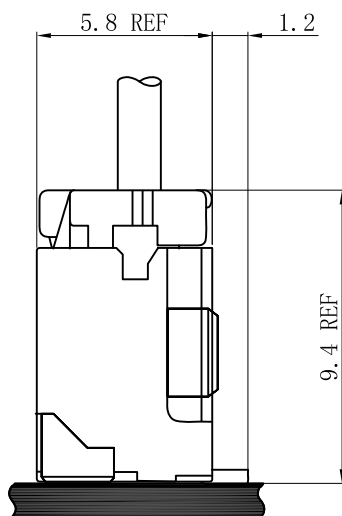


## Specifications

- Voltage rating: 100V AC, DC
- Current Rating: 2A, AC, DC
- Withstand voltage: 500V AC/minute
- Contact resistance: 40mΩ max
- Insulation resistance: 500MΩ min
- Temperature range: -40°C ~ +105°C
- Compliant with RoHS and REACH
- Contact JVT for details

## Assembly layout



**JVT1504 SERIES**

1.5mm pitch wire to board connector

**JVT1504H**

1.5mm Pitch housing

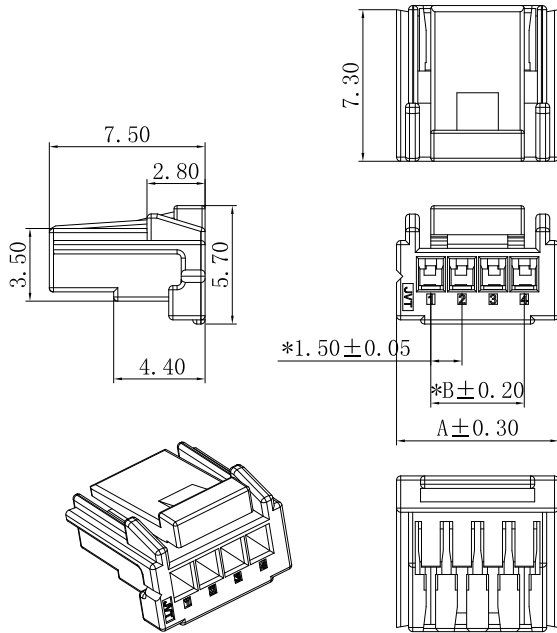
HOUSING

Part No. : JVT1504HXX-XX

Material: PA66/PBT UL94V-0

Mates With Part(s): JVT1504 Terminal

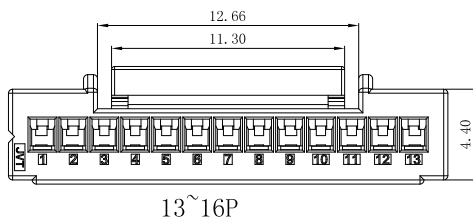
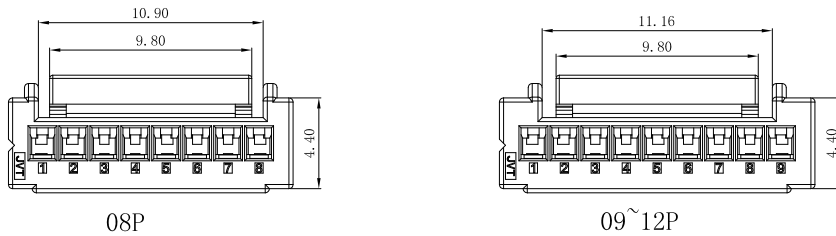
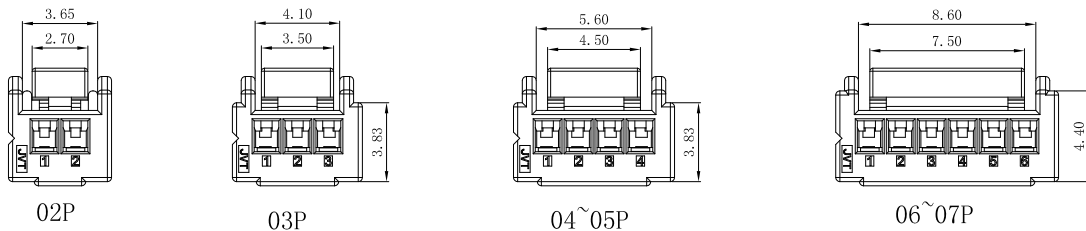
JVT1504HXX-XX  
Logo ———  
Series NO. ———  
Housing ———  
Pin NO. ———  
NO-PA66 UL94V-0  
PT-PBT UL94V-0



Poles	Dimensions (mm)	
	A	B
02	5.00	1.50
03	6.30	3.00
04	7.80	4.50
05	9.30	6.00
06	10.80	7.50
07	12.30	9.00
08	13.80	10.50
09	15.30	12.00
10	16.80	13.50
11	18.30	15.00
12	19.80	16.50
13	21.30	18.00
14	22.80	19.50
15	24.30	21.00
16	25.80	22.50

Unit:mm

JVT1504HN0-XX	PA66 UL94V-0	JVT1504TP-XXSH
JVT1504HPT-XX	PBT UL94V-0	JVT1504TP-XXSH
PART NO	Material	Mates With Part(s)

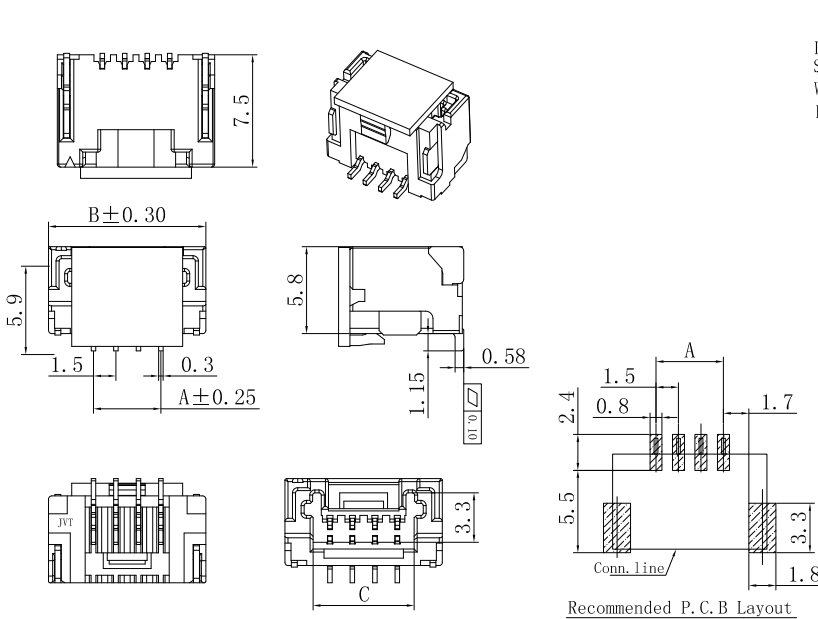


**JVT1504 SERIES**

1.5mm pitch wire to board connector

**JVT1504W**

1.5mm Pitch Wafer-SMT TYPE

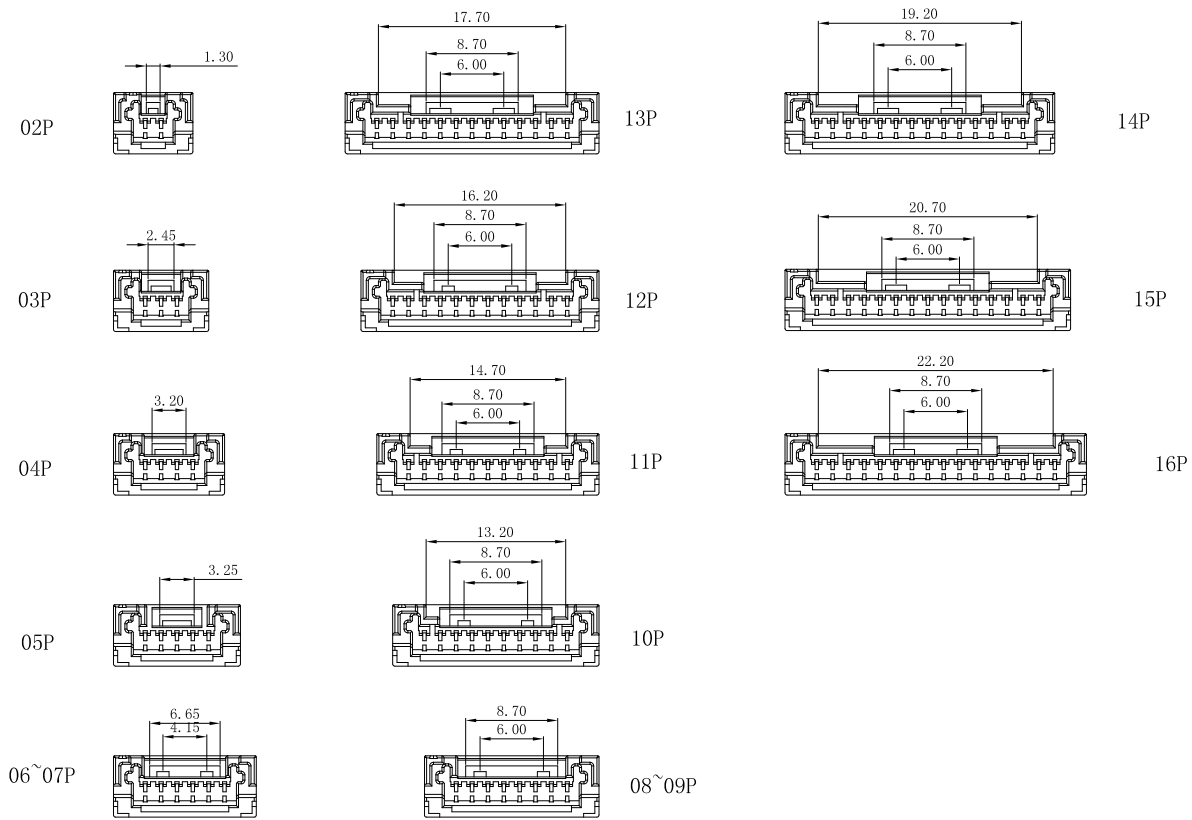


JVT1504W9T-XXSNC-S  
Logo Series NO. Wafer PA9T UL94V-0 SMT Cap Tin Plated Pin NO.

Poles	Dimensions (mm)		
	A	B	C
02	1.5	7.50	3.75
03	3.0	9.00	5.25
04	4.5	10.50	6.75
05	6.0	12.00	8.25
06	7.5	13.50	9.75
07	9.0	15.00	11.25
08	10.5	16.50	12.75
09	12.0	18.00	14.25
10	13.5	19.50	15.75
11	15.0	21.00	17.25
12	16.5	22.50	18.75
13	18.0	24.00	20.25
14	19.5	25.50	21.75
15	21.0	27.00	23.25
16	22.5	28.50	24.75

Unit:mm

JVT1504W9T-XXSNC-S	PA9T UL94V-0	Phos Bronze	Tin plated	Brass	Tin plated	JVT1504 Housing
PART NO	Material	Material(Pin)	Finish(Pin)	Material (Solder Tabs)	Finish (Solder Tabs)	Mates With Part(s)

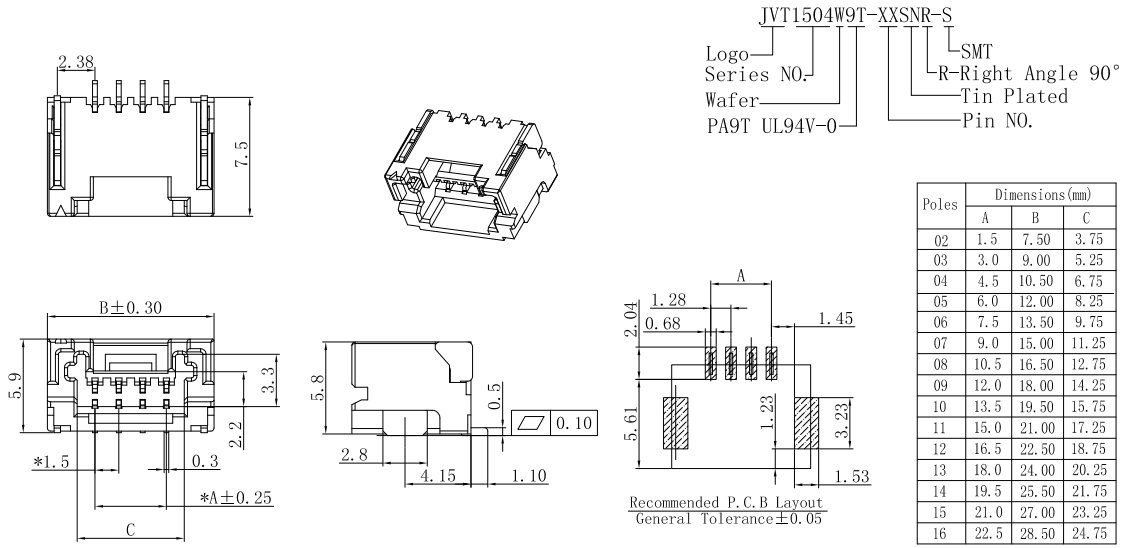


**JVT1504 SERIES**

1.5mm pitch wire to board connector

**JVT1504W**

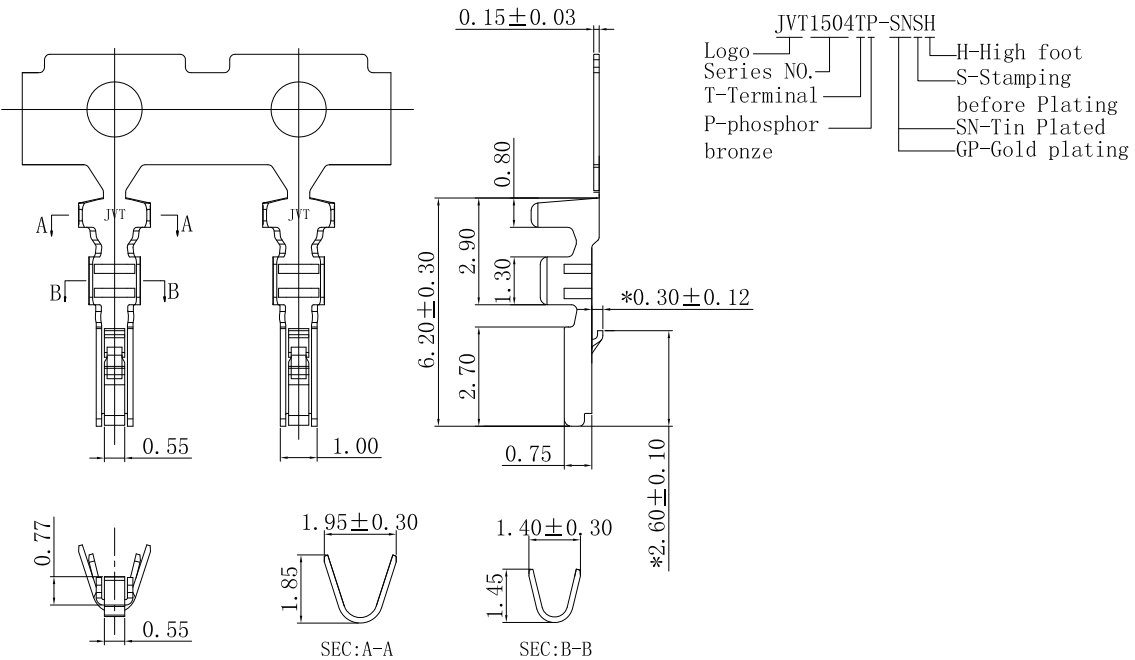
1.5mm Pitch 90° Wafer-SMT TYPE



JVT1504W9T-XXSNR-S	PA9T UL94V-0	Phos Bronze	Tin plated	Brass	Tin plated	JVT1504 Housing
PART NO	Material	Material(Pin)	Finish(Pin)	Material (Solder Tabs)	Finish (Solder Tabs)	Mates With Part(s)

**JVT1504T**

1.5mm Pitch Crimp Terminal



JVT1504TP-SNSH	Phos Bronze	Tin Plated	AWG#24~28	1.20mm(Max)	JVT1504 HOUSING
JVT1504TP-GPSH		Gold plated			
PART NO	Material	Finish(Pin)	Wire Range	Insulation O.D.	Mates With Part(s)