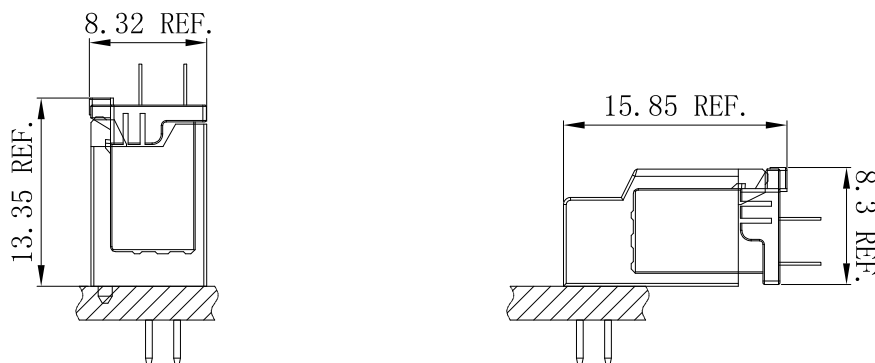


Specifications

- Voltage rating: 250V AC, DC
- Current Rating: 2A, AC, DC
- Withstand voltage: 800V AC/minute
- Contact resistance: 20mΩ max
- Insulation resistance: 1000mΩ min
- Temperature range: -40°C ~ +105°C
- *Suitable JVT2036T series Terminal
JVT2036W series Wafer
- Compliant with RoHS and REACH
Contact JVT for details

Assembly layout



JVT2036H

2.0mm Pitch housing

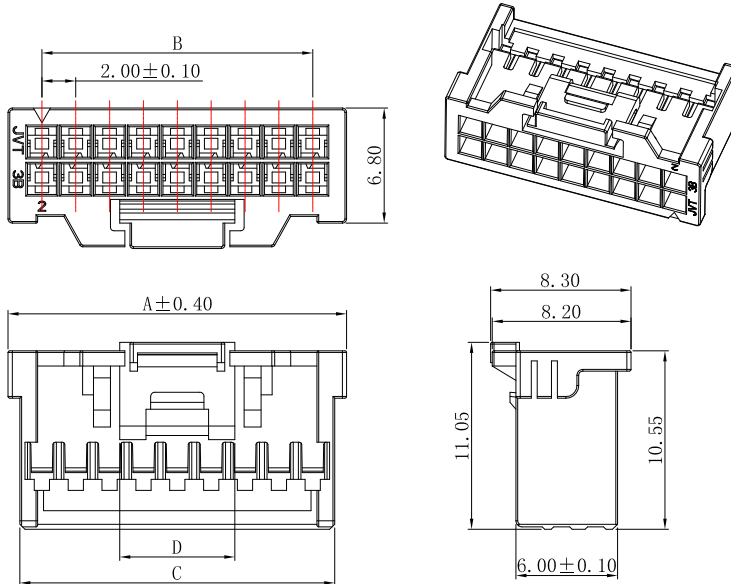
HOUSING

Part No. : JVT2036HNO-2*XX

Material: PA66 UL94V-0

Mates With Part(s): JVT2036 Terminal

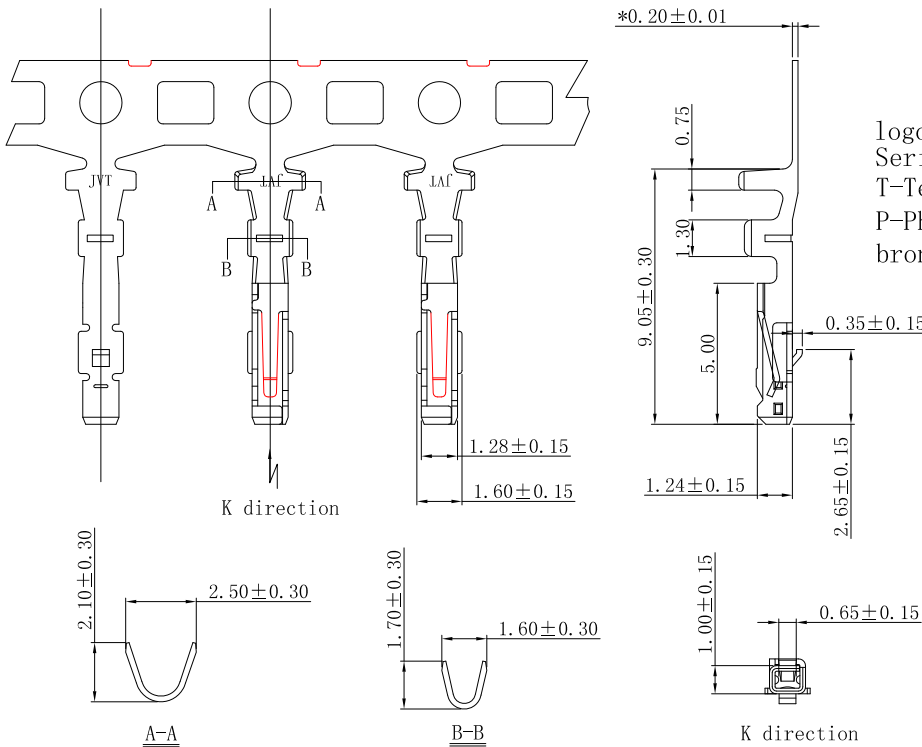
JVT2036HNO-2*XX
Logo Series NO. Housing Pin NO. PA66 UL94V-0



CKL	A	B	C	D	CKL	A	B	C	D
2*02	6	2	4.6	2.2	2*12	26	22	24.6	6.8
2*03	8	4	6.6	2.2	2*13	28	24	26.6	6.8
2*04	10	6	8.6	3.1	2*14	30	26	28.6	6.8
2*05	12	8	10.6	5.1	2*15	32	28	30.6	6.8
2*06	14	10	12.6	6.8	2*16	34	30	32.6	6.8
2*07	16	12	14.6	6.8	2*17	36	32	34.6	6.8
2*08	18	14	16.6	6.8	2*18	38	34	36.6	6.8
2*09	20	16	18.6	6.8	2*19	40	36	38.6	6.8
2*10	22	18	20.6	6.8	2*20	42	38	40.6	6.8
2*11	24	20	22.6	6.8					

JVT2036T

2.0mm Pitch Crimp Terminal

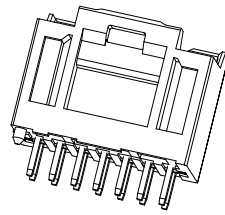
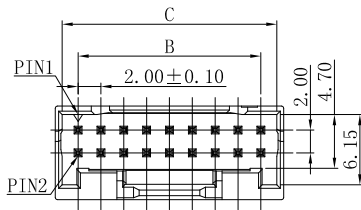


JVT2036TP-SNS
logo Series NO. T-Terminal P-Phosphor bronze S-Stamping before Plating SN-Tin Plated

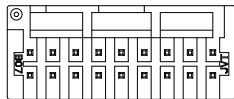
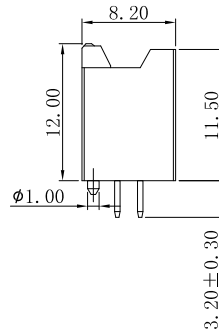
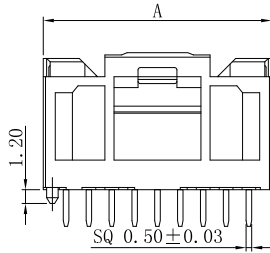
JVT2036TP-SNS	Phos Bronze	Tin Plated	AWG#22~28	1.5mm(Max)	JVT2036 HOUSING
PART NO	Material	Finish(Pin)	Wire Range	Insulation O.D.	Mates With Part(s)

JVT2036W

2.0mm Pitch 180°Wafer-DIP TYPE



JVT2036WLP-2*XXSNP-D
Logo
Series NO.
WAFER
LCP UL94V-0
D-DIP
P-With boss
SN-Tin Plated
Pin NO.

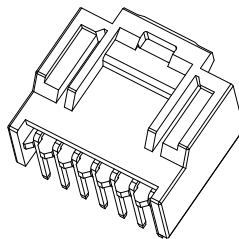
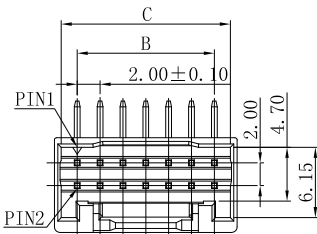


CKL	A	B	C	CKL	A	B	C
2*02	6	2	4.8	2*12	26	22	24.8
2*03	8	4	6.8	2*13	28	24	26.8
2*04	10	6	8.8	2*14	30	26	28.8
2*05	12	8	10.8	2*15	32	28	30.8
2*06	14	10	12.8	2*16	34	30	32.8
2*07	16	12	14.8	2*17	36	32	34.8
2*08	18	14	16.8	2*18	38	34	36.8
2*09	20	16	18.8	2*19	40	36	38.8
2*10	22	18	20.8	2*20	42	38	40.8
2*11	24	20	22.8				

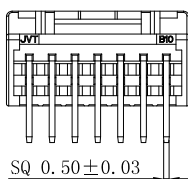
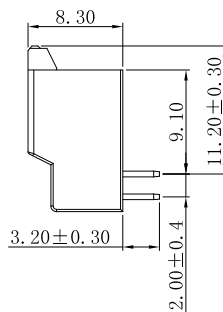
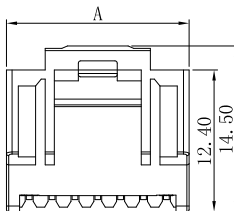
JVT2036WLP-2*XXSNP-D	LCP UL94V-0	Brass	Tin Plated	JVT2036 Housing
PART NO	Material	Material(Pin)	Finish(Pin)	Mates With Part(s)

JVT2036W

2.0mm Pitch 90°Wafer-DIP TYPE



JVT2036WLP-2*XXSNR-D
Logo
Series NO.
Wafer
LCP UL94V-0
D-DIP
R-Right Angle 90°
SN-Tin Plated
Pin NO.



CKL	A	B	C	CKL	A	B	C
2*02	6	2	4.8	2*12	26	22	24.8
2*03	8	4	6.8	2*13	28	24	26.8
2*04	10	6	8.8	2*14	30	26	28.8
2*05	12	8	10.8	2*15	32	28	30.8
2*06	14	10	12.8	2*16	34	30	32.8
2*07	16	12	14.8	2*17	36	32	34.8
2*08	18	14	16.8	2*18	38	34	36.8
2*09	20	16	18.8	2*19	40	36	38.8
2*10	22	18	20.8	2*20	42	38	40.8
2*11	24	20	22.8				

JVT2036WLP-2*XXSNR-D	LCP UL94V-0	Brass	Tin Plated	JVT2036 Housing
PART NO	Material	Material(Pin)	Finish(Pin)	Mates With Part(s)